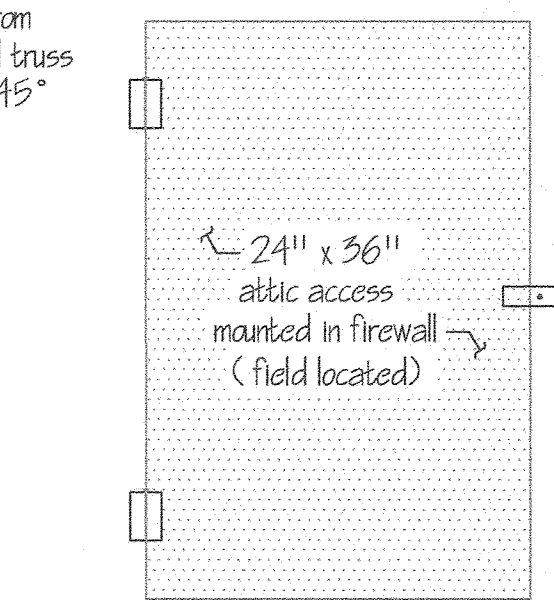
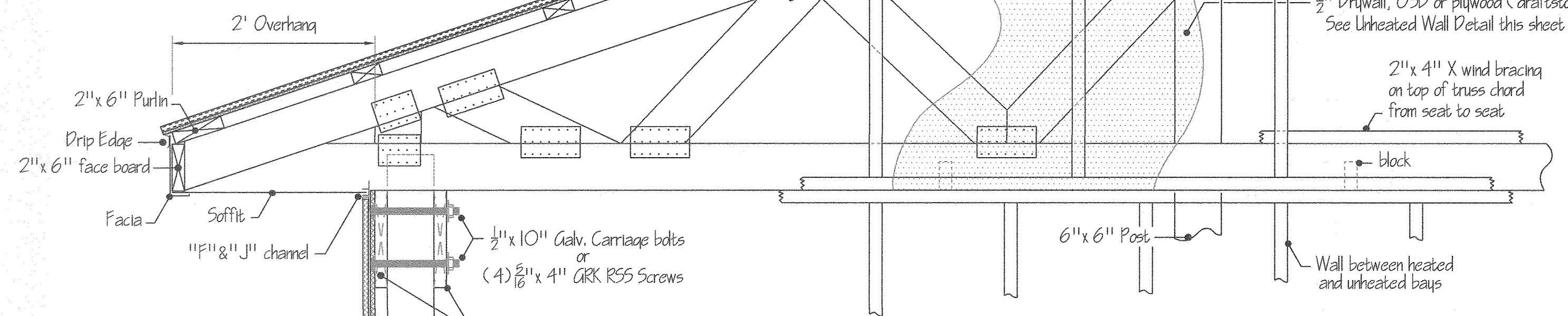
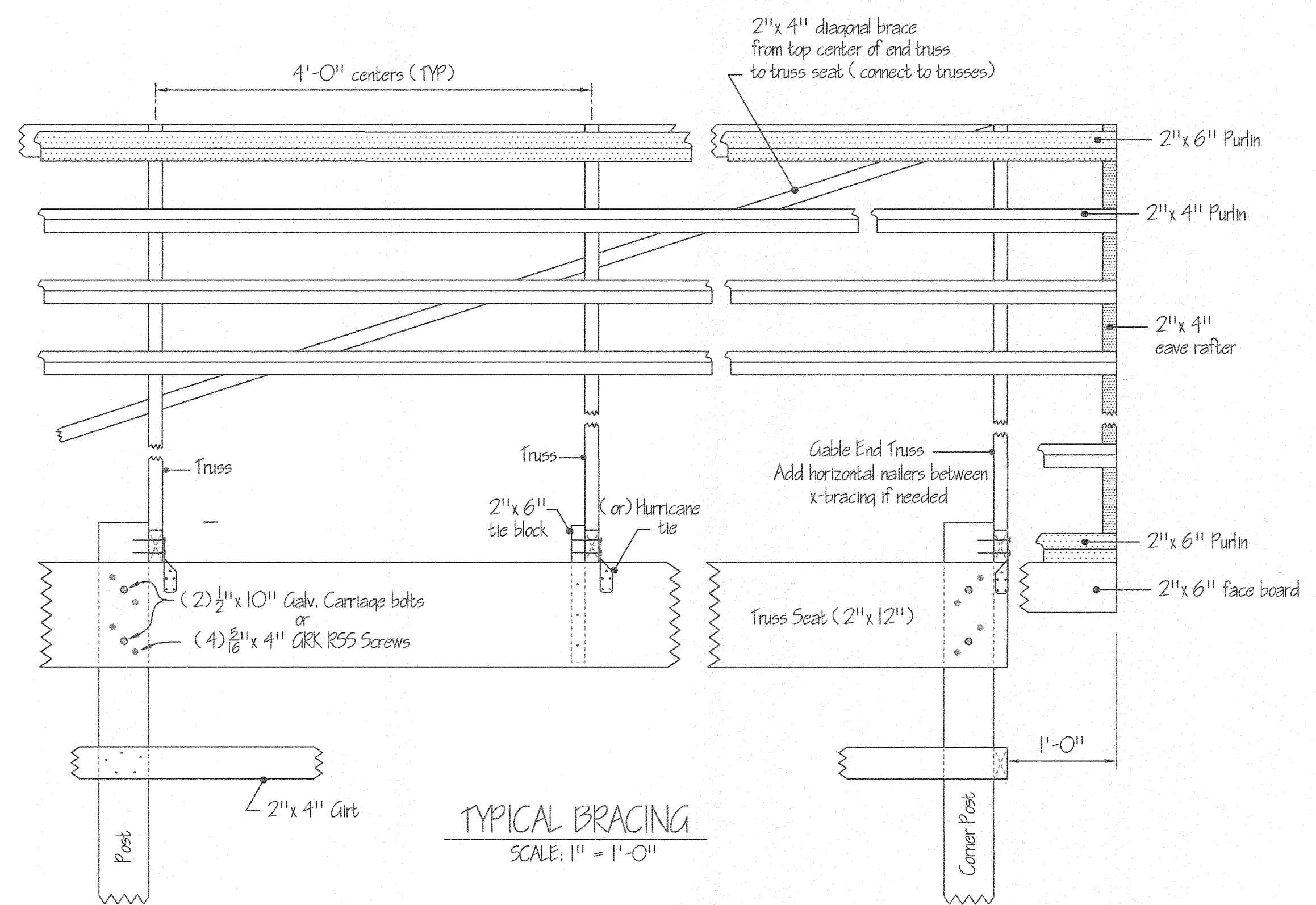


DETAILS AT POST  
SCALE: 3/4" = 1'-0"

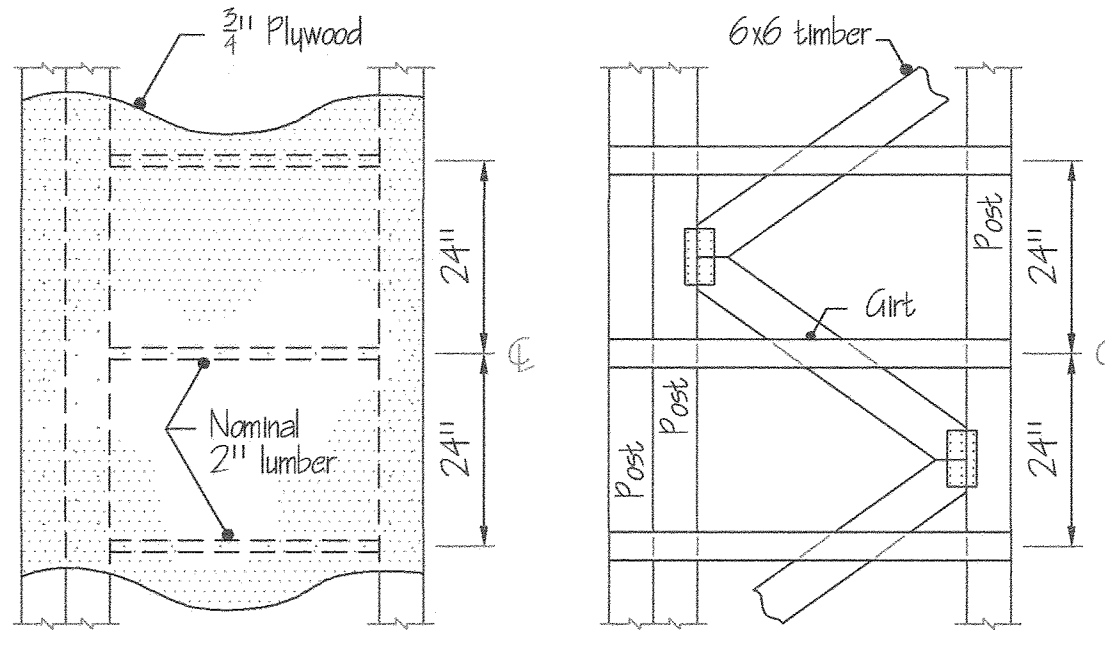
NOTE: Truss designed w/8" energy heel.  
Design information is deferred.



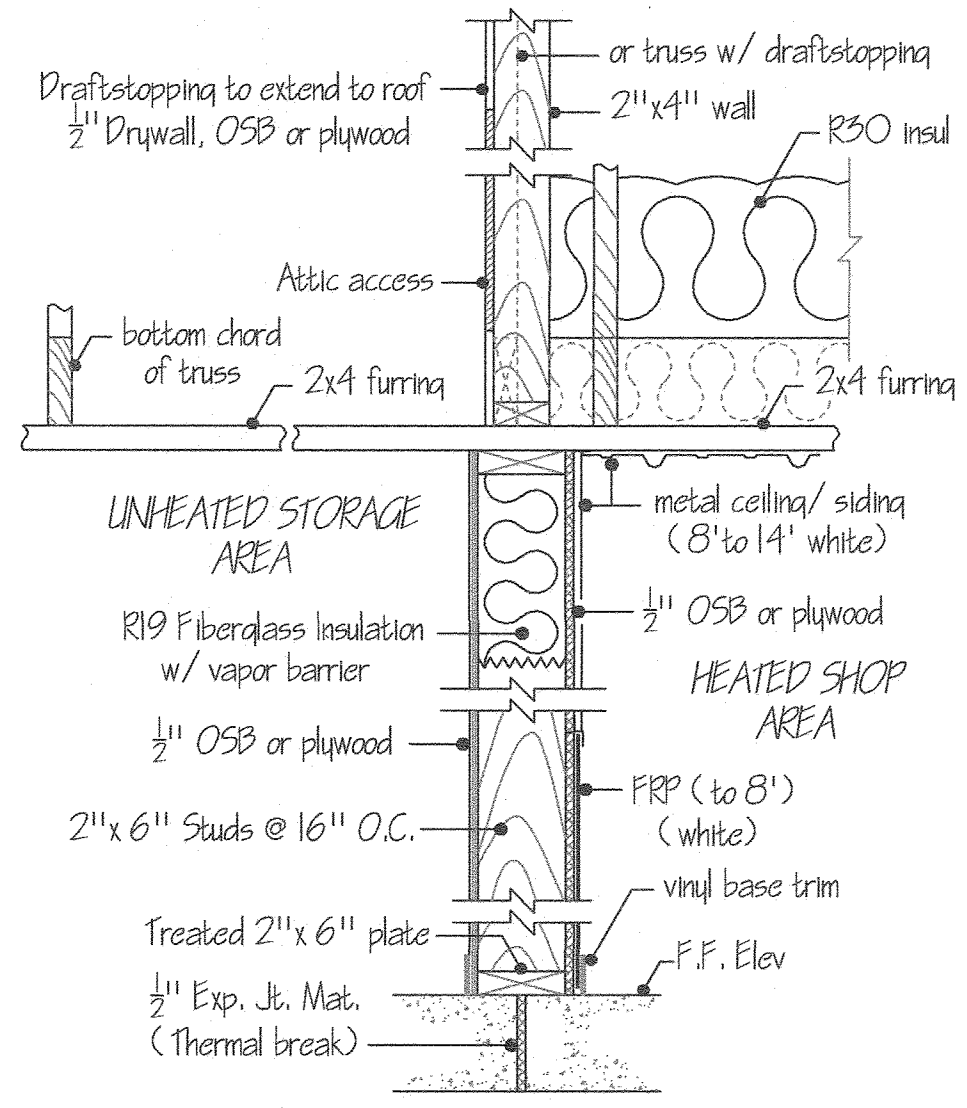
CONCRETE DETAIL @ DOOR  
SCALE: 1/2" = 1'-0"



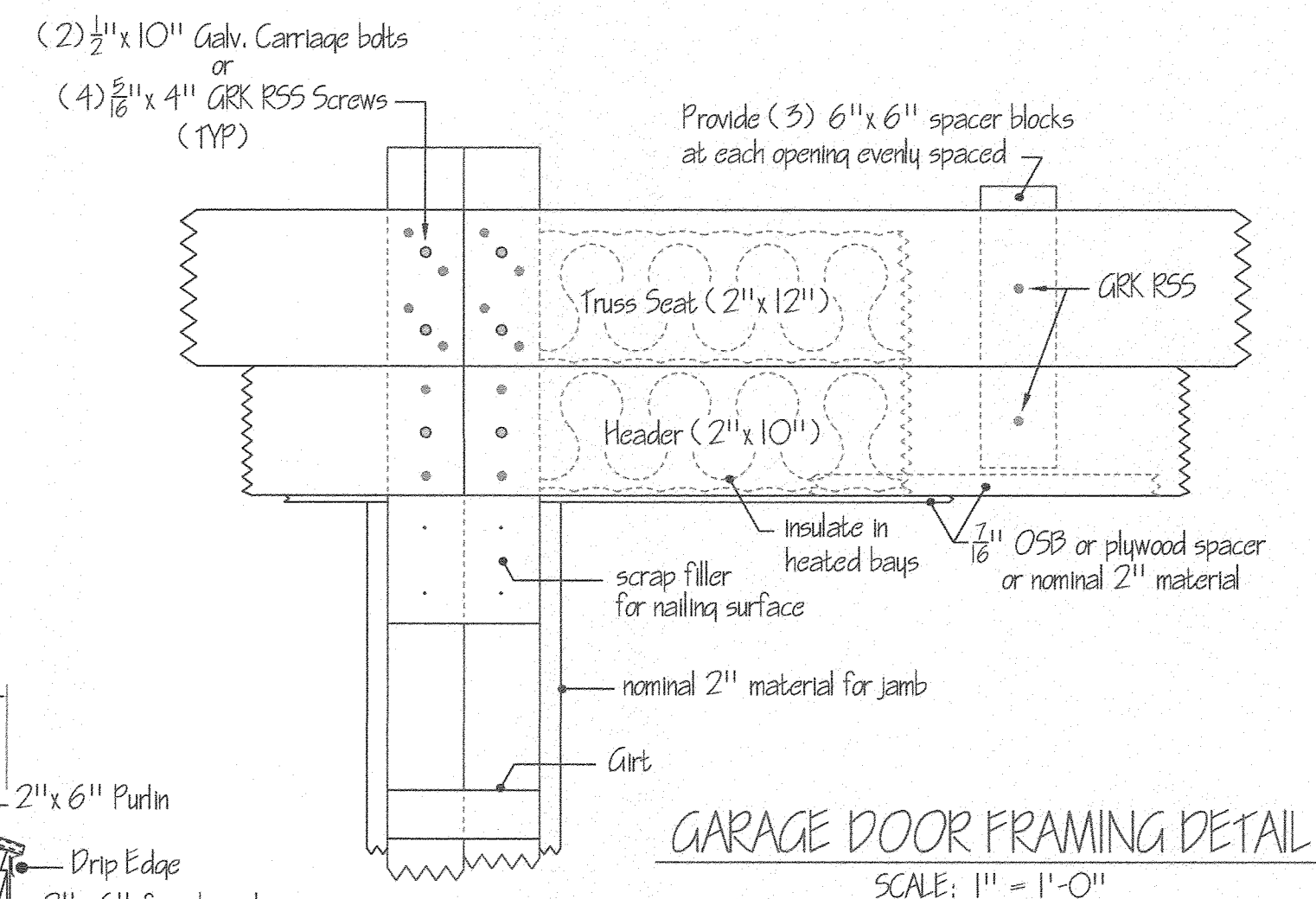
TYPICAL BRACING  
SCALE: 1" = 1'-0"



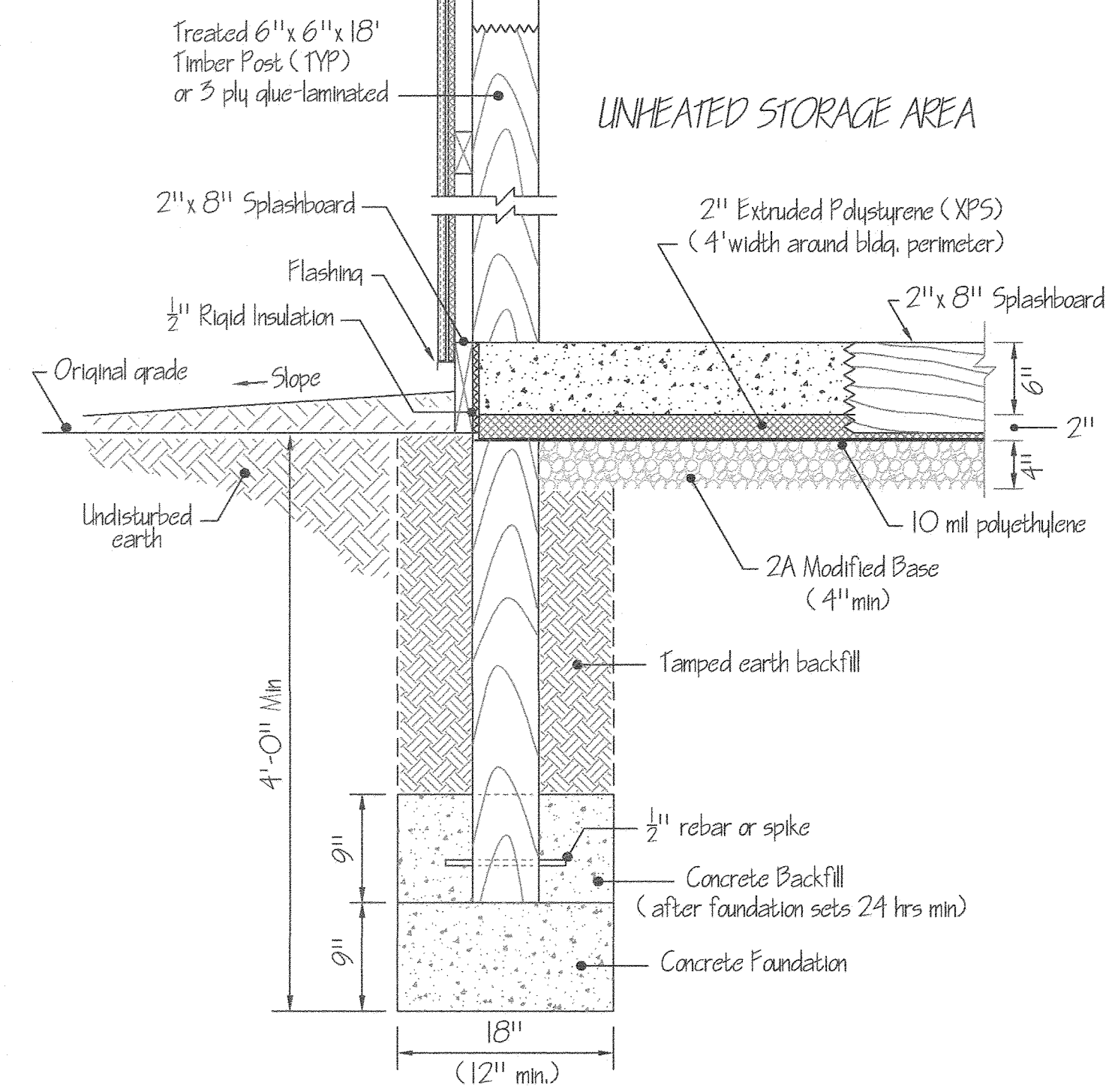
PLYWOOD BRACING OR 6x6 BRACING  
SCALE: 1" = 2'-0" (FRONT CORNERS ONLY)



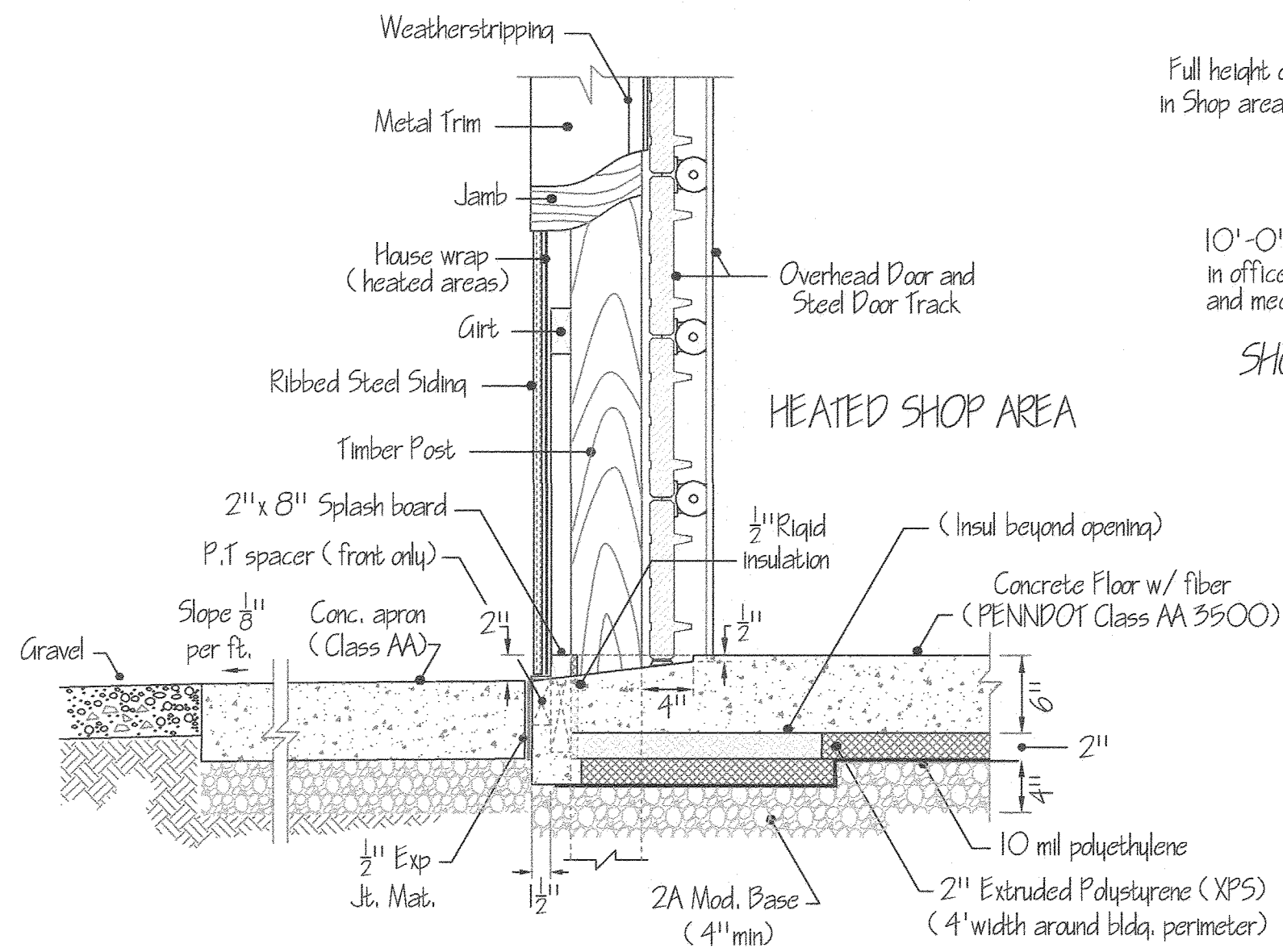
HEATED / UNHEATED WALL DETAIL  
SCALE: 1" = 1'-0"



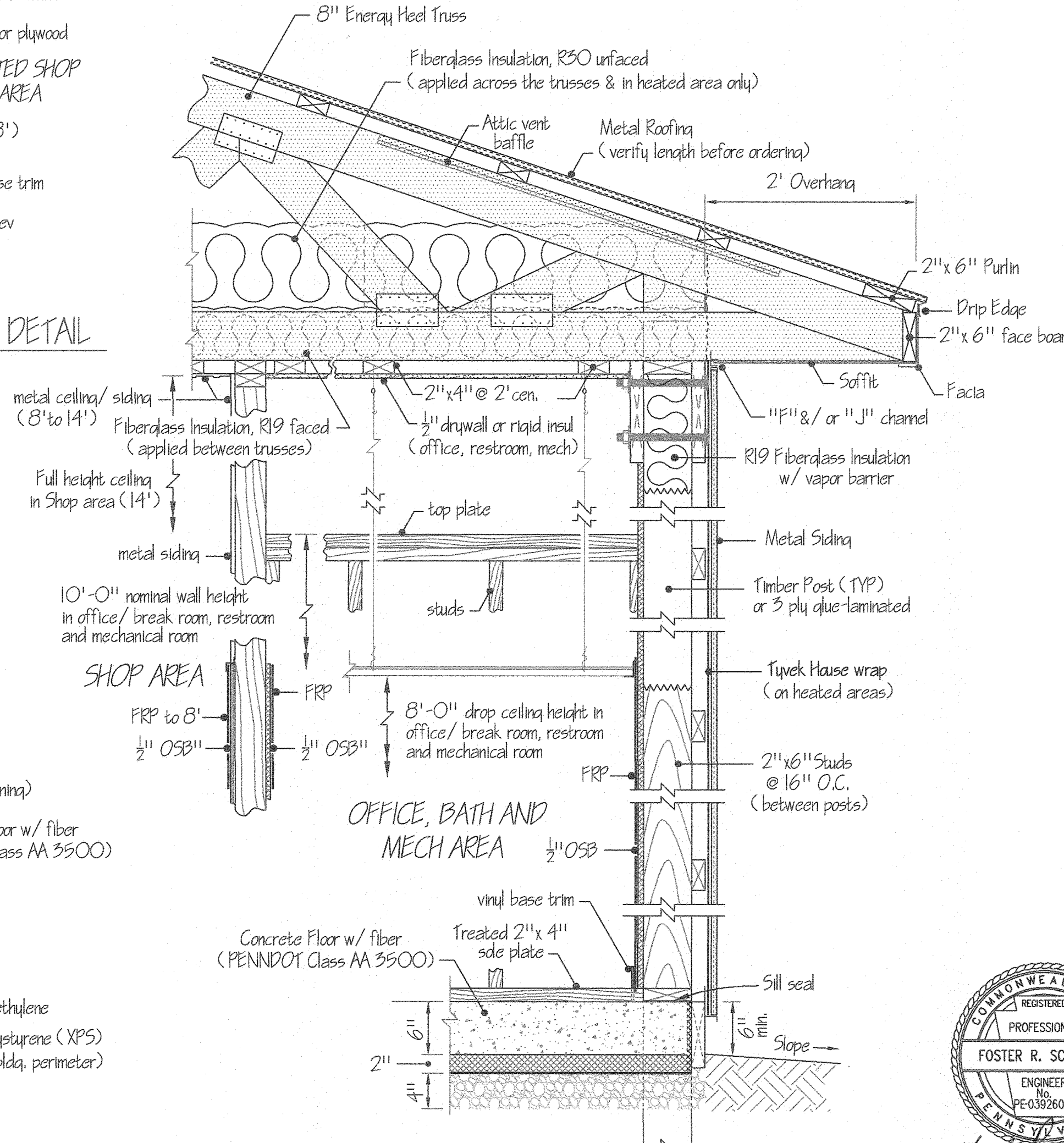
GARAGE DOOR FRAMING DETAIL  
SCALE: 1" = 1'-0"



CROSS SECTION DETAIL 1  
SCALE: 1" = 1'-0"

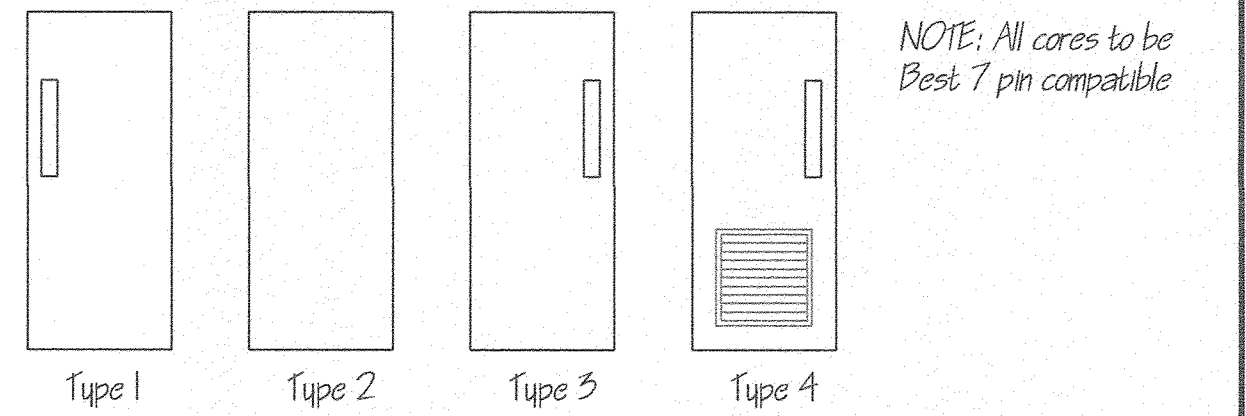


O.H. DOOR SILL AND JAMB DETAIL 2  
SCALE: 1" = 1'-0"

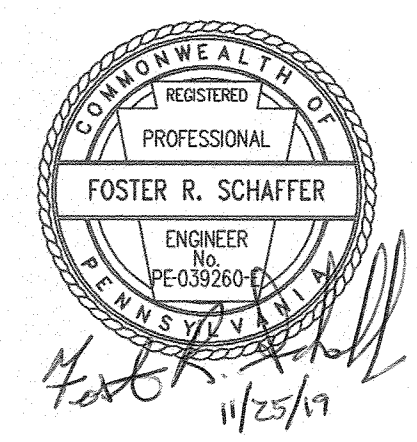


CROSS SECTION DETAIL 3  
SCALE: 1" = 1'-0"

Mark	Type	W	H	T	Hand	Qty	Remarks
A	3	3'-0"	7'-0"	1-3/4"	LHR	5	Insulated Core w/ glass, Panic Bolt, Closure
B	1	3'-0"	7'-0"	1-3/4"	RH	1	Non-Insulated w/ glass & passage set
B	1	3'-0"	7'-0"	1-3/4"	RHR	1	Non-Insulated w/ glass & passage set
B	4	3'-0"	7'-0"	1-3/4"	LHR	1	Non-Insulated w/ glass, vent & passage set
C	2	3'-0"	7'-0"	1-3/4"	RH	1	Non-Insulated Core w/ lockset



DOOR SCHEDULE



PENNSYLVANIA GAME COMMISSION  
STATE GAME LANDS #248 CHERRYHILL TWP. INDIANA CO.

REVISIONS		PROJECT NO.	PGC-248-19-2
▲		DRAWING NO.	248-DETAIL-5-2
▲		DRAWN BY:	JBM
▲		DATE:	11-25-19
▲		SHEET NO.	2 OF 5